

210 SERIES TWO PIECE TYPE

SBV210 Series

Features

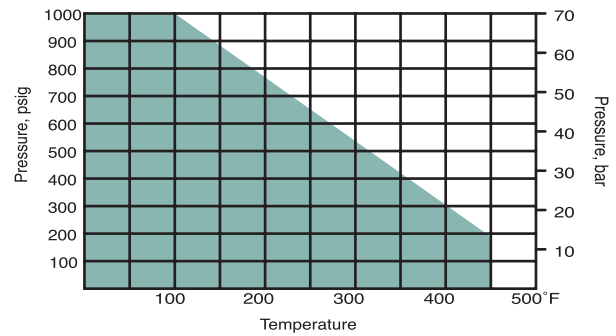
- Compact design
- Tight and smooth, low torque and easy operation
- Butterfly and lever handle available
- Panel mountable
- Variety of End Connections
- Each and every valve is tested at the factory



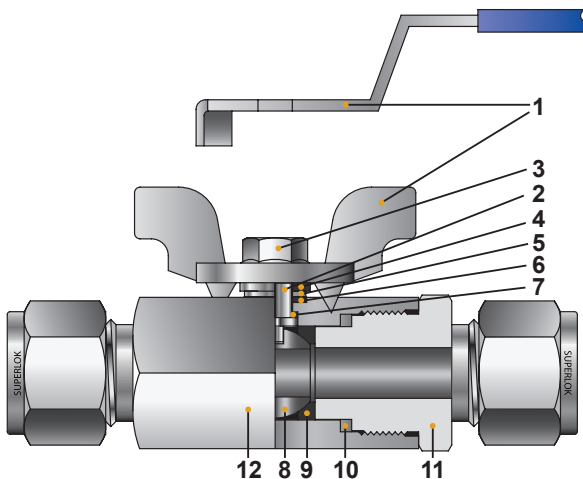
Specifications

Pressure rating	1000psig (69bar)@100°F (38°C)
Body material	316 stainless steel and Brass
Port Connections	1/4" to 1" and 6mm to 16mm
Orifice	5.0mm to 16.0mm

Pressure-Temperature Ratings



Materials of Construction



No.	Component	Material Grade / ASTM Specification	
		Stainless Steel	Brass
1	Handle	SS304 Lever handle with PVC color coated Zinc butterfly handle with nickel plated	
2	Stem	SS316 / A479	
3	Lock Nut	Stainless Steel	
4	Upper Stem Washer	SS304 / A479	
5	Lower Stem Washer		
6	Upper Stem Seal	PTFE	
7	Lower Stem Seal		
8	Ball	SS316 / A479	
9	Seat	PTFE	
10	Connector Seal		
11	End Connector	SS316 / A479	Brass / B16
	Insert (for Female Thread)	SS316 / A479	
12	Body	SS316 / A479	Brass / B16

SBV210 Series

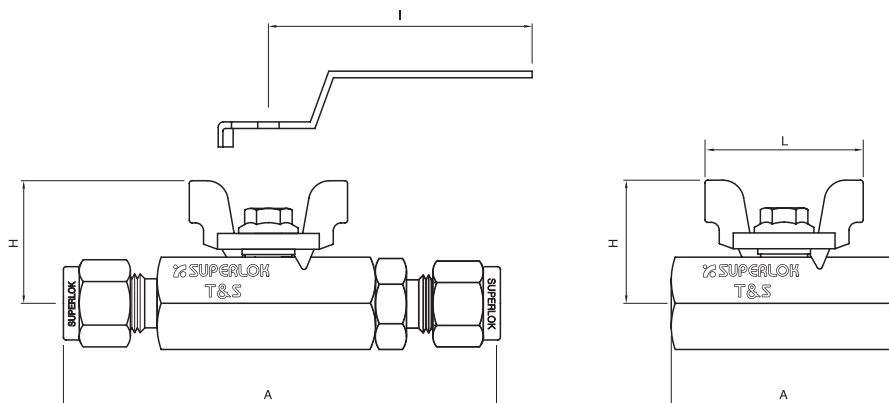


Table of dimensions

Order Number		Orifice (mm)	Cv	End Connections	Dimensions (mm)				
Series	Part No.				A	H	I	L	
SBV210	S	6M	5.0	1.25	6mm SUPERLOK	79.8	23.0	60.0	30.0
	S	4		1.25	1/4" SUPERLOK	79.8			
	F	4N		1.4	1/4" FEMALE NPT	42.8			
	S	10M	7.5	2.6	10mm SUPERLOK	91.5	31.0	90.0	48.0
	S	6		2.5	3/8" SUPERLOK	91.5			
	F	6N		2.6	3/8" FEMALE NPT	46.6			
	S	12M	9.0	9.5	12mm SUPERLOK	101.4	34.0	90.0	50.0
	S	8		9.5	1/2" SUPERLOK	101.4			
	F	8N		9.5	1/2" FEMALE NPT	55.0			
	S	16M	12.5	10.6	16mm SUPERLOK	107.6	39.0	100.0	55.0
	S	10		10.6	5/8" SUPERLOK	107.0			
	S	12		12.7	3/4" SUPERLOK	107.0			
	F	12N	12.7	3/4" FEMALE NPT	61.3	45.0	100.0	68.0	
	S	16	17.5	1" SUPERLOK	131.0				
	F	16N	17.5	1" FEMALE NPT	76.0				

※ All dimensions are for reference only, subject to change

SBVA210 Series

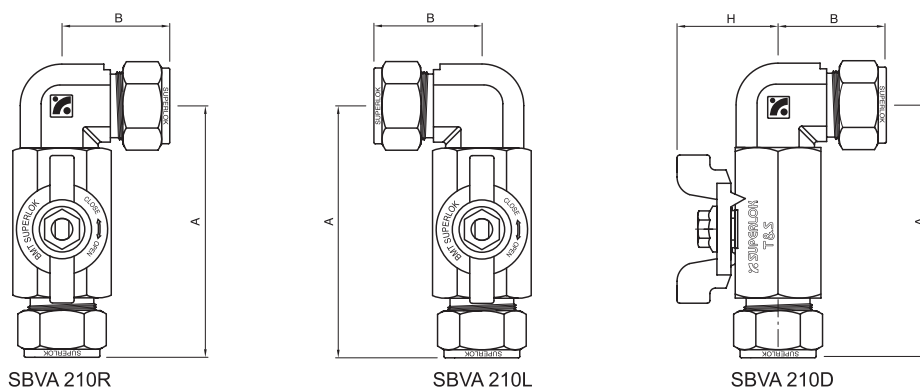


Table of dimensions

Order Number		Orifice (mm)	End Connections	Dimensions (mm)		
Series	Part No.			A	B	H
SBVA210	S	4	5.0	65.3	30.5	23.0
	S	6	7.5	77.5	36.1	31.0
	S	8	9.0	87.9	38.1	34.0
	S	12	12.5	93.8	39.9	39.0
	S	16	16.0	115.3	49.0	45.0

※ All dimensions are for reference only, subject to change

SBVT210 Series

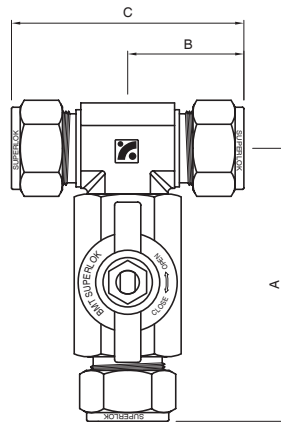


Table of dimensions

Order Number		Orifice (mm)	End Connections	Dimensions (mm)			
Series	Part No.			A	B	C	
SBVT210	S	4	5.0	1/4" SUPERLOK	65.3	30.5	61.0
	S	6	7.5	3/8" SUPERLOK	77.5	36.1	72.2
	S	8	9.0	1/2" SUPERLOK	87.9	38.1	76.2
	S	12	12.5	3/4" SUPERLOK	93.8	39.9	79.8
	S	16	16.0	1" SUPERLOK	115.3	49.0	98.0

※ All dimensions are for reference only, subject to change

Ordering Information

Example : **SBV120 - S - 8 - BH - SS**

1
2
3
4
5

1. Valve Series

- SBV210 ■ SBVA210 ■ SBVT210

2. End Connection

- S : SUPERLOK Tube Fitting ■ F : Female Thread

3. End Connection Size

-Tube O.D Designation

Tube O.D (inch)	1/4	3/8	1/2	3/4	1
Designation	4	6	8	12	16
Tube O.D (mm)	6	10	12	16	
Designation	6M	10M	12M	16M	

- Pipe Thread Designation

Size(inch)	1/4	3/8	1/2	3/4	1
Screwed NPT	4N	6N	8N	12N	16N
Screwed BSPT	4R	6R	8R	12R	12R

4. Handle Designator

- Nil : Butterfly Handle (Standard) ■ BH : Bar Handle

5. Material Designator

- SS : 316 Stainless Steel ■ B : BRASS