

Introduction

- It can prevent various caused by inappropriate operations the unauthorized or unskilled persons in constructing, inspecting and running piping-work.
- It can prevent the accidents caused by inappropriate operations without permission or by intention in the places to come and go freely.

SBVL210 Series Low Pressure Key Operation Ball Valves



Features

- Locking handle in On and Off positions
- Compact design
- Low operating torques
- Variety of End connections

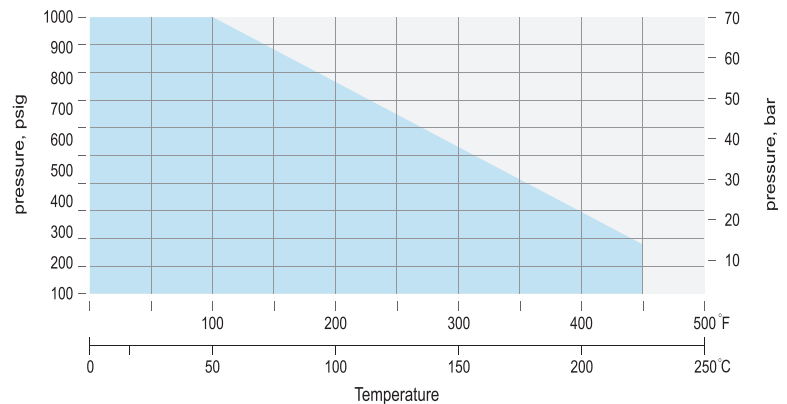
Specifications

- Pressure rating: 1000psig (69bar) @100 °F(38 °C)
- Body material: 316 stainless steel body
- Port Connections: 1/4" to 1" and 6mm to 25mm
- Orifice: 5.0mm to 16.0mm

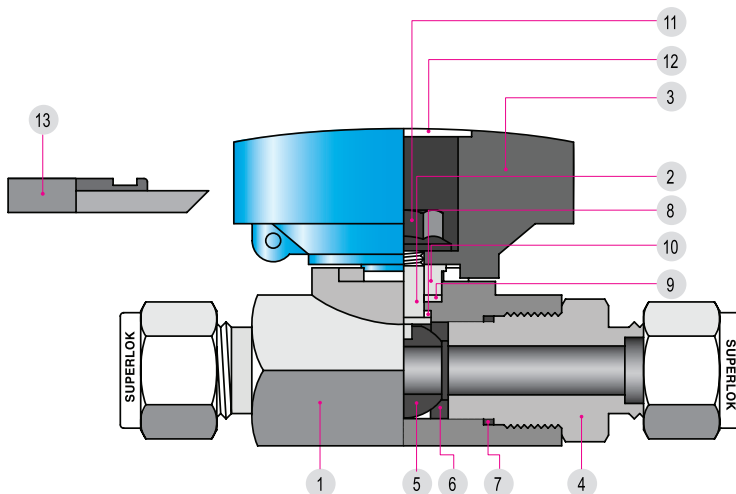
Testing

- Each and every valve is tested with nitrogen at 1000psig (69bar).
- Valve have max allowable leak rate of 0.1 cm³/min
- Shell testing is performed on demand.

Pressure-Temperature Rating



Materials of Construction



No.	Component	Material Grade / ASTM Specification
*1	Body	SS316 / A276
*2	Stem	SS316 / A276
*3	End Connector	SS316 / A276
*4	Ball	SS316 / A276
*5	Ball Seal	PTFE
*6	Connector Seal	PTFE
*7	Lower Stem Seal	PTFE
*8	Upper Stem Seal	PTFE
*9	Stem Washer	SS304 / A276
10	Nut	Stainless Steel
11	Handle Cap	Aluminum
12	Master Key	Zinc

- Wetted components are marked "**"

SBVL210 Series

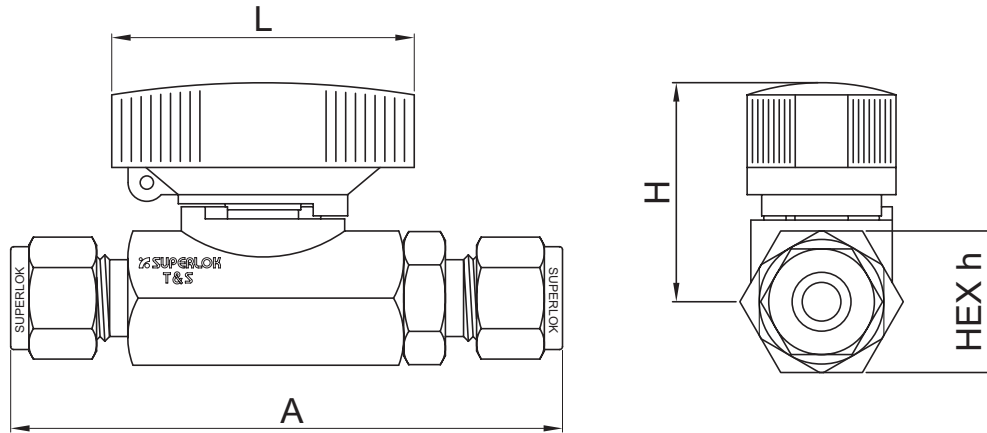


Table of dimensions

Order Number		Orifice mm	Cv	End Connection	Dimensions (mm)			
Series	Part No.				h	A	H	L
SBVL 210	S6M	5.0	1.25	6mm SUPERLOK	18.0	79.8	32.3	42.0
	S4			1/4" SUPERLOK				
	S10M	7.0	2.5	10mm SUPERLOK	22.2	91.5	35.6	50.0
	S6			3/8" SUPERLOK				
	S12M	9.0	9.5	12mm SUPERLOK	27.0	101.4	37.6	50.0
	S8			1/2" SUPERLOK				
	S16M	12.5	12.7	16mm SUPERLOK	31.8	107.0	40.4	60.0
	S12			3/4" SUPERLOK				
	S25M	16.0	17.5	25mm SUPERLOK	38.1	131.0	43.5	60.0
	S16			1" SUPERLOK				

Dimensions based on SUPERLOK nuts finger-tight. Dimensions are for reference only, subject to change.

Ordering Information

SBVL 210 - S8 - ROT

1

2 3

4 5

1 Valve Series

- SBVL210

3 End Connection Size

- Tube O.D Designation

Tube O.D (inch)	1/4	3/8	1/2	3/4	1
Designation	4	6	8	12	16
Tube O.D (inch)	6	10	12	16	25
Designation	6M	10M	12M	16M	25M

2 End Connection

- S: SUPERLOK Tube Fitting

- F: Female Thread

- M: Male Thread

- Pipe Thread Designation

Size (inch)	1/4	3/8	1/2	3/4	1
Screwed BSPT	4R	6R	8R	12R	16R
Screwed NPT	4N	6N	8N	12N	16N

4 Handle Color

- Blank: Blue (Standard)

- R: Red

- K: Black

5 Valve Type

- Blank: Standard Type

- OT: Open Free Type

- CT: Close Free Type