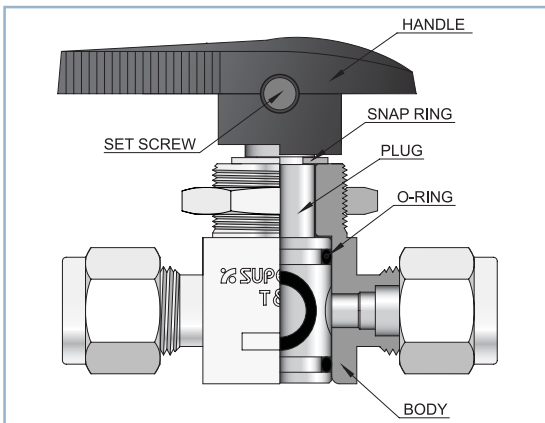


PLUG VALVE



SPV130 Series



Features

- Pressure Rating up to 3000psig (206 bar) @ 100 °F (37°C)
- Temperature rating -10 °F to 400 °F (-23 °C to 204 °C)
- Simple design with one piece body
- 316 stainless steel body materials
- Panel mountable
- Straight through flow path
- Easy to clean and maintain
- Various end connector
- Replaceable plug assembly

Testing

- Every plug valve is factory tested for shutoff at 600 psig (41.3bar)

Technical Data

Material of Construction

| Component | Material Grade |
|-----------|-------------------|
| Body | SS316 |
| Plug | PTFE-coated SS316 |
| O-rings | VITON |
| Handle | Aluminum |
| Set Screw | Stainless Steel |
| Snap Ring | Stainless Steel |

* Differential pressure is limited to 150 psig maximum if reverse flow occurs
Reverse-flow throttling may be damage o-ring

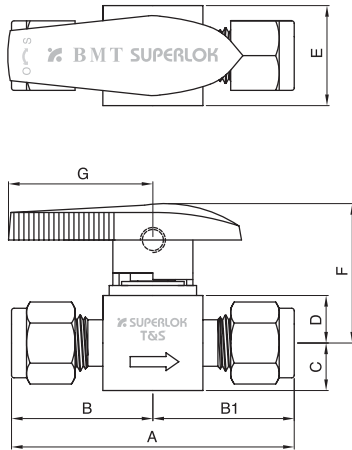
Pressure-Temperature Rating

| Series | SPV131,SPV132 | SPV131 | SPV132 |
|-----------------------|------------------------------|-------------|-------------|
| | Material | 316SS | Brass |
| Temperature, °F (°C) | Working Pressure, psig (bar) | | |
| -10 (-23) to 100 (37) | 3000 (206) | 3000 (206) | 2000 (137) |
| 150 (65) | 3000 (206) | 2500 (172) | 2000 (137) |
| 200 (93) | 3000 (206) | 2000 (137) | 2000 (137) |
| 250 (121) | 2000 (137) | 1500 (103) | 1500 (103) |
| 300 (148) | 1000 (68.9) | 1000 (68.9) | 1000 (68.9) |
| 350 (176) | 1000 (68.9) | 1000 (68.9) | 1000 (68.9) |
| 400 (204) | 1000 (68.9) | 400 (27.5) | 400 (27.5) |

PLUG VALVE

SPV130 Series

Standard Style



Panel Mounting Style

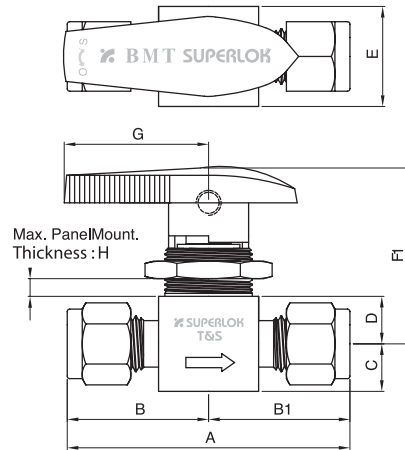


Table of Dimensions

| Order Number | | Orifice (mm) | CV | End Connection | | Dimensions (mm) | | | | | | | | | |
|--------------|----------|--------------|---------------|-----------------|-----------------|-----------------|------|----------------|------|------|------|------|----------------|------|-----|
| Series | Part No. | | | Inlet | Outlet | A | B | B ₁ | C | D | E | F | F ₁ | G | H |
| *SPV131 | F2N | 4.4 | 1.2 | 1/8" Female NPT | | 45.2 | 22.6 | 22.6 | 9.5 | 9.5 | 20.0 | 27.9 | 35.5 | 28.9 | 6.4 |
| | F4N | | 0.9 | 1/4" Female NPT | | 53.1 | 26.6 | 26.6 | | | | | | | |
| | M4N-F4N | | 0.9 | 1/4" Male NPT | 1/4" Female NPT | 50.8 | 24.2 | 26.6 | | | | | | | |
| | M2N | 1.0 | 1/8" Male NPT | | 39.0 | 19.5 | 19.5 | | | | | | | | |
| | M4N | 1.0 | 1/4" Male NPT | | 48.4 | 24.2 | 24.2 | | | | | | | | |
| | M4N-S4 | 0.9 | 1/4" Male NPT | 1/4" SUPERLOK | 51.2 | 24.2 | 27.6 | | | | | | | | |
| | S2 | 2.3 | 0.1 | 1/8" SUPERLOK | | 50.5 | 25.3 | 25.3 | | | | | | | |
| | S4 | 4.4 | 1.6 | 1/4" SUPERLOK | | 55.1 | 27.6 | 27.6 | | | | | | | |
| | S6M | | 1.6 | 6mm SUPERLOK | | 55.1 | 27.6 | 27.6 | | | | | | | |
| *SPV132 | F4N | 7.2 | 4.3 | 1/4" Female NPT | | 60.5 | 30.3 | 30.3 | 14.0 | 14.0 | (30) | 41.6 | 53.2 | 51.7 | 9.4 |
| | F8N | | 2.7 | 1/2" Female NPT | | 73.2 | 36.6 | 36.6 | | | | | | | |
| | M8N | | 2.4 | 1/2" Male NPT | | 67.1 | 33.5 | 33.5 | | | | | | | |
| | S8M | | 6.4 | 8mm SUPERLOK | | 67.6 | 33.8 | 33.8 | | | | | | | |
| | S10M | | 6.4 | 10mm SUPERLOK | | 68.1 | 34.1 | 34.1 | | | | | | | |
| | S12M | | 4.8 | 12mm SUPERLOK | | 75.2 | 37.6 | 37.6 | | | | | | | |
| | S6 | | 6.4 | 3/8" SUPERLOK | | 67.6 | 33.8 | 33.8 | | | | | | | |
| | S8 | | 4.4 | 1/2" SUPERLOK | | 73.2 | 36.6 | 36.6 | | | | | | | |

Dimensions shown with **SUPERLOK** nuts measure in the finger - tight, where applicable.
 All dimensions are for reference only, subject to change.
 *Ordering numbers that list F1, H dimensions are available in panel mounting style.
 To order, add-P to the series number. Example : SPV131P-S-4

Ordering Information

SPV131 - S 4 - B
1 2 3 4

1 : Valve Series (Add - P : Panel Mounting Style) - SPV131(P), - SPV132(P) **2** : End Connection Designator
3 : Connection Size **4** : Material Designator - NIL : 316 Stainless Steel, - B : Brass